

## Fire-rating Chart for Safety Glass Products and NGP Low Profile Lite Kits

GLASS PRODUCT	TYPE	IMPACT SAFETY RATING	FIRE RATING	LOW PROFILE LITE KIT
<b>SUPER LITE™ I-W</b>	WIRED, SAFETY FILM	CATEGORY I & II	20, 45, 60 AND 90 MINUTES	L-FRA100
<b>SUPERLITE™ I-20 MIN</b>	TEMPERED	CATEGORY I & II	20 MINUTES ONLY	L-FRA100
<b>PYRAN PLATINUM F</b>	CERAMIC WITH SAFETY FILM	CATEGORY I & II	20, 45, 60 AND 90 MINUTES	L-FRA100
<b>PYRAN PLATINUM L</b>	CERAMIC LAMINATE	CATEGORY I & II	20, 45, 60 AND 90 MINUTES	L-FRA100-SP
<b>WIRE GLASS</b>	WIRED	NONE	20, 45, 60 AND 90 MINUTES	L-FRA100
<b>TEMPERED GLASS</b>	TEMPERED	CATEGORY I & II	--- NOT FIRE RATED ---	L-FRA100
<b>INSULATED TEMPERED</b>	TEMPERED	CATEGORY I & II	--- NOT FIRE RATED ---	L-FRA100-SP
<b>POLYCARBONATE 1/4"</b>	POLYCARBONATE	CATEGORY I & II	--- NOT FIRE RATED ---	L-FRA100

Note: Fire-rated glass requires appropriate fire-rated glazing tape as indicated in our catalog.

Refer to our listings online at:  
[www.ul.com/database/](http://www.ul.com/database/)



For additional consulting contact:

Roger P. Skold, Jr., AHC  
Technical Director  
Phone: 1.800.647.7874  
Email: rogers2@ngpinc.com

### Choose the NGP Lite Kit that's Right for Your Specs:

#### L-FRA 100

##### Low Profile Self-attaching Lite Kit for 1 3/4" Door with 5/16", 3/16" or 1/4" Glass

- 18 ga. cold rolled steel
- Mitered and welded corners
- Welded reinforcing clips at corners
- Counter-sunk mounting screw-holes
- #8 x 1-1/2" Phillips head SMS
- Available in uneven and fractional sizes
- Standard finish = (GPZ) Gray Primer

##### AVAILABLE OPTIONS

- Optional finishes available
- Torx Security Screws
- Galvanneal - A40 Steel
- Zinc electro-plating
- Glass & Glazing tape
- Lead lining-.030" thick

##### UL10C POSITIVE PRESSURE FIRE-RATED

#### L-FRA100-SP

##### Low Profile Self-attaching Lite Kit for Variable Door and/or Glass Thickness

- 18 ga. cold rolled steel
- Mitered and welded corners
- Welded reinforcing clips at corners
- Counter-sunk mounting screw-holes
- #8 Phillips head SMS
- Available in uneven and fractional sizes
- Standard finish = (GPZ) Gray Primer

##### AVAILABLE OPTIONS

- Optional finishes available
- Torx Security Screws
- Galvanneal - A40 Steel
- Zinc electro-plating
- Glass & Glazing tape
- Lead lining-.030" thick

##### UL10C POSITIVE PRESSURE FIRE-RATED

- Doors 1-3/8" to 2-1/2" \*
- Glass 3/8" to 1" \*

\* See page L7 in NGP catalog for available configurations.



**Sudden Impact.**  
How New Codes Affect Your Spec.

**Safety Glass in Fire Doors Must Now Be Fire-rated AND Impact-rated.**

Prior to 2003, fire-rated wired glass products were not required to meet impact safety-rated codes. With the development of new products that met both fire and impact safety requirements, the rules changed.

In 2003, the **International Building Code (IBC)** required fire and safety compliance for critical use areas like schools and day care facilities. The code was expanded in 2006 requiring all fire-rated glass in doors, including wired glass, to meet the Impact Safety Requirements of CPSC 16 CFR, Category I and II.

**OVERVIEW OF IBC REVISIONS**

- 2000** Fire-rated Wire Glass is exempt from safety requirements.
- 2003** Fire-rated Wire Glass remains exempt from safety requirements; except in educational and day care occupancies.
- 2006** All fire-rated glass including wire glass must meet Impact Safety requirements of CPSC 16 CFR, Category I & II.

# NGP Has the Glass Solutions to Keep You Up to Spec.

## SuperLite™ I-20 min.

### SUFFICIENT FOR 80% OF ALL FIRE DOORS

- **4X stronger than wired glass**
- **Fire-rated**
- **Impact safety-rated**
- **Clear & wireless, tempered glass**

**Impact Safety-Rating Information:**

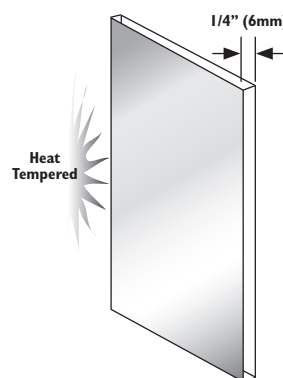
- Meets CPSC 16CFR 1201 (CAT I and II)
- 1/4" (6mm) thick tempered glass

**Fire-Rating Information:**

- **20 minutes** with PVC foam glazing tape like NGP GT-116 or GT-118 (without hose stream)

**Featured Value:**

- Economical in larger sizes and quantities



## SuperLite I-W™ PATENTED

### EMBEDDED STEEL WIRE & APPLIED SAFETY FILM

- **Fire-rated**
- **Impact safety-rated**
- **5/16" (8mm) thick**
- **Clear glass**

**Impact Safety-Rating Information:**

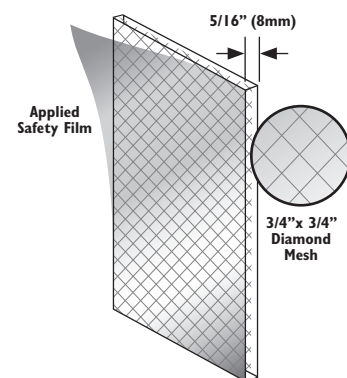
- Meets CPSC 16CFR 1201 (Cat. I and II)
- 3/4" X 3/4" diamond pattern electrically welded steel wire mesh
- Maintains integrity when fractured or subjected to a hose stream

**Fire-Rating Information:**

- **20, 45, 60 and 90 minutes** with closed cell PVC foam glazing tape like NGP GT-116 or GT-118

**Featured Value:**

- Best overall code compliance



## Pyran Platinum F

### GLASS CERAMIC WITH DURABLE SAFETY FILM

- **Fire-rated**
- **Impact safety-rated**
- **Clear & wireless glass**
- **Neutral coloration**
- **Superior surface and optical quality**

**Impact Safety-Rating Information:**

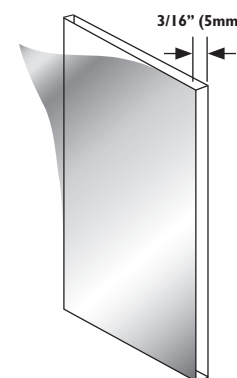
- Meets CPSC 16CFR 1201 (CAT I and II) impact safety-rating
- 3/16" (5mm) thick glass ceramic
- Withstands thermal shock and hose stream

**Fire-Rating Information:**

- **20, 45, 60 and 90 minutes** with PVC foam glazing tape like NGP GT-116 or GT-118

**Featured Value:**

- Lowest cost ceramic



## Pyran Platinum L

### GLASS CERAMIC LAMINATED, (THICKER) NO FILM

- **Fire-rated**
- **Impact safety-rated**
- **Clear & wireless glass**
- **Neutral coloration**
- **Superior surface and optical quality**

**Impact Safety-Rating Information:**

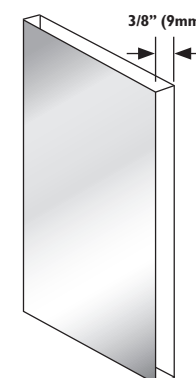
- Meets CPSC 16CFR 1201 (CAT I and II) impact safety-rating
- 3/8" (9mm) thick laminated glass ceramic
- Withstands thermal shock and hose stream

**Fire-Rating Information:**

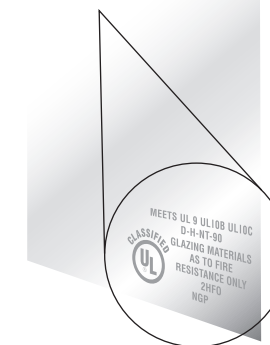
- **20, 45, 60 and 90 minutes** with PVC foam glazing tape like NGP GT-116 or GT-118

**Featured Value:**

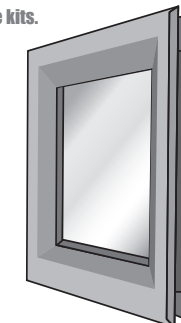
- Higher cost laminated ceramic



All NGP fire-rated glass products are labeled with their proper UL Rating.



See back cover for specs on our most popular low profile lite kits.



What AHJ's  
And  
Specification  
Writers  
Need to Know  
About  
Fire-Rated  
And  
Impact Safety-  
Rated Glass  
Requirements.